



## Preliminary Steps:

1. Read all instructions carefully before installing the LED bar
2. Check with state and local authorities for laws governing usage and proper mounting of auxiliary lights
3. Disconnect ground connection from battery (marked “-”) to avoid accidental short circuits before attempting to connect electrical wires
4. Route new wires along existing wiring, tape if necessary to correct slack
5. When running wires through the firewall, keep them away from moving parts

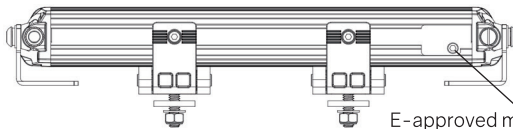
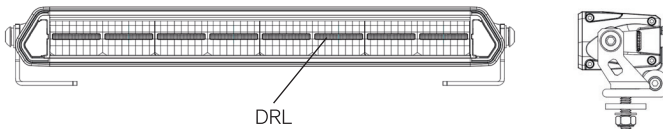
## Wiring:

Black: Ground “-”

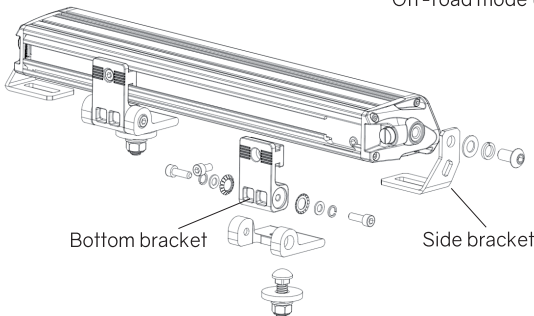
Red: Driving light “+”

White: DRL, white color “+”

Yellow: DRL, yellow-orange color “+”



E-approved mode: Tighten the screw  
Off-road mode (Powerboost): Remove the screw



## Warning:

1. Works under the specified voltage (DC9-36V)
2. This LED-bar becomes hot under continuous use - do not remove or touch the casing for at least 30 minutes after turning the light off
3. Keep heat-sink clean and exposed to maintain air flow