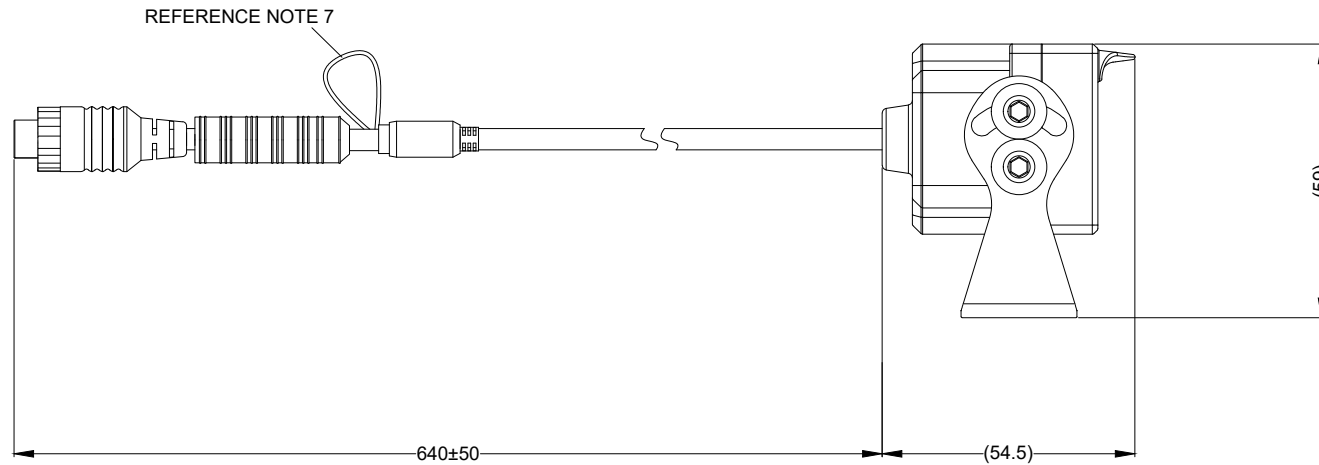
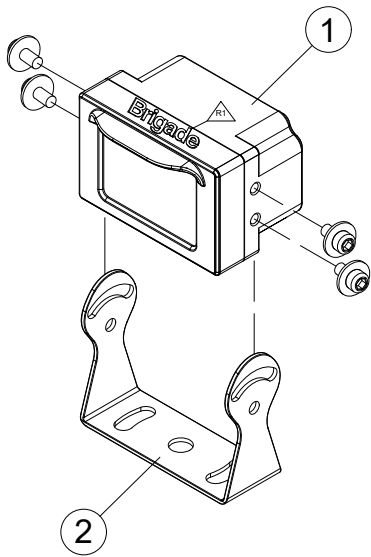


Revision Notes.

R1 - UPDATED BRIGADE LOGO ON HOUSING

APA: KEN WONG    Drawn: R.TIMMS    Checked: A.KING    Approved: JN BATOUR    Date: 19.11.24

CAMERA ASSEMBLY: VBV-6132C (7596)				
ITEM	PART NO.	QTY	MODEL NO.	DESCRIPTION
1	8078	1	VBV-6132C-C	ESSENTIAL 1080P AHD, (PAL/NTSC), CAMERA ONLY
2	7597	1	VBV-613XC-FIX	ESSENTIAL CAMERA FITTING KIT



NOTES:

- FOR PRODUCT LABELS AND PACKAGING DETAILS REFER TO MASTER BOM.
- HOUSING COLOR AND MATERIAL: BLACK, ABS. FINISH: EXTERIOR SURFACES FINISH Y S 9298.
- 'BRIGADE' LASER LOGO SYMBOLS TO BE WHITE PAINT.
- FOR COMPONENT DETAIL REFER TO COMPONENT DRAWINGS.
- FOR SPECIFICATION DETAILS REFER TO PRODUCT SPECIFICATION (PS).
- FOR INSTALLATION DETAILS REFER TO INSTALLATION GUIDE.
- PAL/NTSC VIDEO FORMAT: CLOSED CIRCUIT = PAL, OPEN CIRCUIT = NTSC (CUT WIRE & ISOLATE).
- ANY CUSTOMER MODIFICATION OF THIS PRODUCT CAUSING SUBSEQUENT FAILURE IS NOT A LIABILITY OF BRIGADE ELECTRONICS PLC.

PROPRIETARY NOTICE

THIS DESIGN AND TECHNICAL INFORMATION APPEARING ON THIS DRAWING IS THE PROPERTY OF BRIGADE ELECTRONICS, AND IS DISCLOSED IN CONFIDENCE. IT IS NOT TO BE COPIED, REPRODUCED, REVEALED TO OR EXPROPRIATED BY OTHERS, EITHER IN WHOLE OR IN PART WITHOUT THE EXPRESS WRITTEN CONSENT OF BRIGADE ELECTRONICS.



Assembly Pl Approval KEN WONG	Approved by JN BATOUR	Checked by AF	Drawn by R.TIMMS
Angle of Projection 	Units mm	Scale N/A	Released 26/06/24
Status RELEASED	Assembly Ref VBV-6132C		
Part No 7596	BE-004915-01-24		