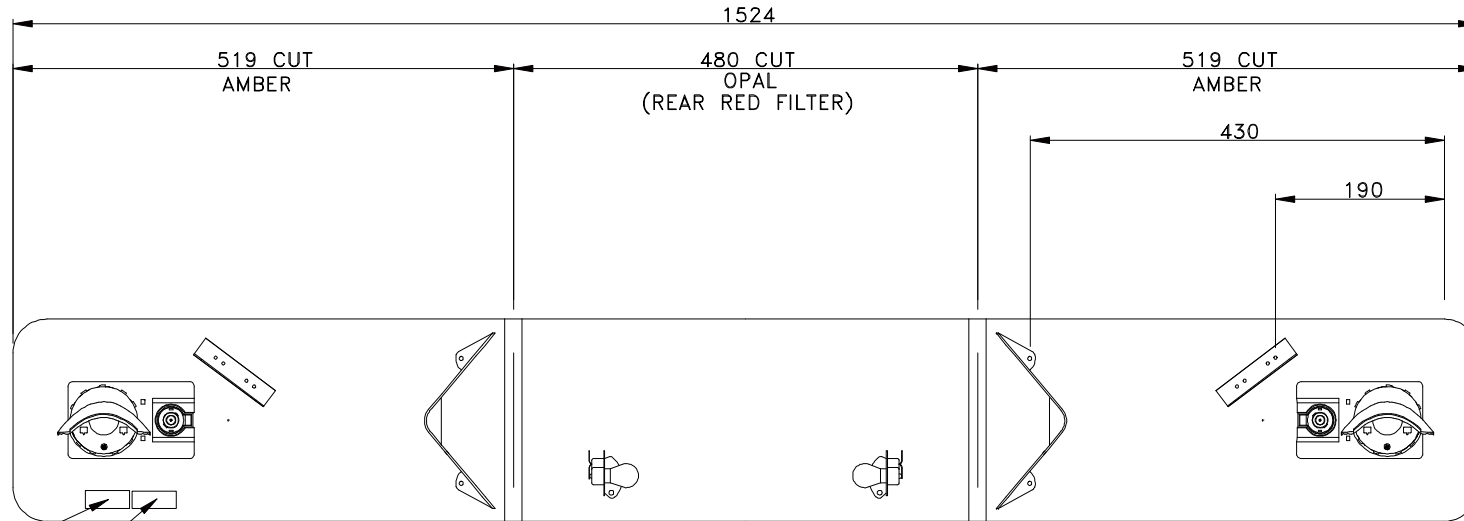
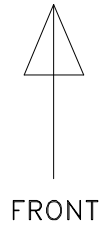
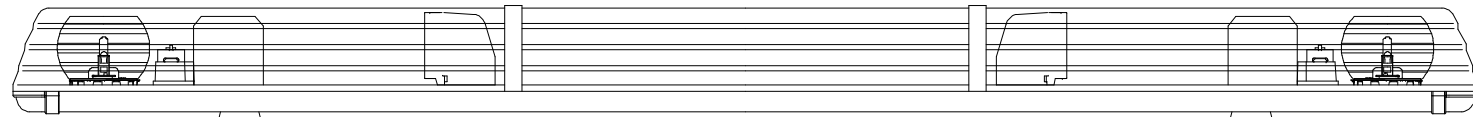


ISSUE	DESCRIPTION	DATE
A	REVISION BOX ADDED AS PER CR VA0032	08-12-03
B	UP DATE MIRRORS AS PER CR-VAM1982	19-02-04
-	-	-
-	-	-
-	-	-



605.3A01.AAAA
H1 12V-55W

BATCH No



FIXING KIT LARGE (999.190)

3Mtr FREE LENGTH

- RED ROTATING MODULES
- GREEN SIGNPLATE
- BLACK COMMON EARTH



© VISION ALERT AUTOMOTIVE LIMITED
Victoria Ind Park, Victoria Road, Seacroft Leeds LS14 2LA
Telephone : 0845 1300155 Fax : 0845 1300255
Email: Sales@visionalert.co.uk

PRODUCTION BUILD PLAN

CHECKED.....C.T.... APPROVED.....R.W.:

DRAWN R L WELDON
DATE 06-12-1999

PART No. 605.3A01.AAAA VOLTAGE 12V