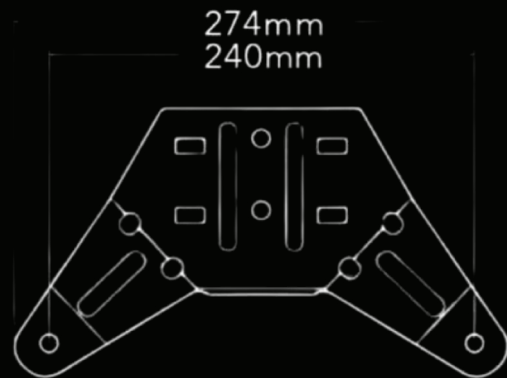
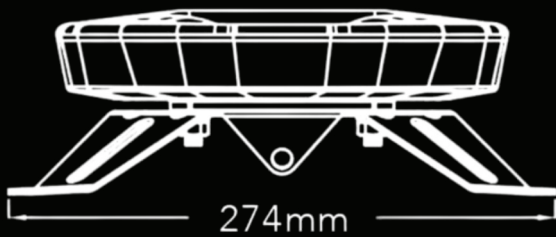


VAN MASTER VMG1822



VMG1822



SPECIFICATIONS

- MULTI-VOLTAGE INPUT 10-30VDC
- 184 X 0.5W LEDS
- CURRENT DRAW: 7.7A AT 12V | 3.85 AT 24V
- LIGHT UNIT (MM): W:1822 X H:90 X D:226

THE VAN MASTER VMG1822 LIGHTBAR FEATURES FULL AMBER LED MODULES AND A FULLY POPULATED DESIGN WITH 184 LEDS. IT KEEPS YOU AND YOUR FLEET VISIBLE AT ALL TIMES WITH FULL 360° COVERAGE AND IS BACKED UP WITH ECE R65 & R10 APPROVAL (E-MARKED FOR HIGHWAY USE).