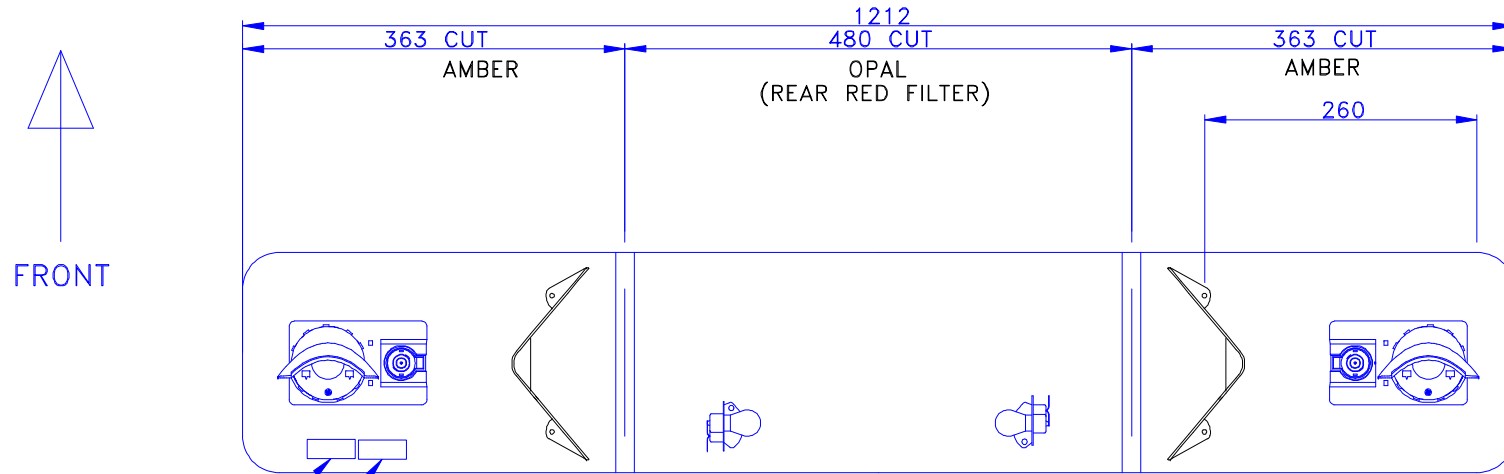
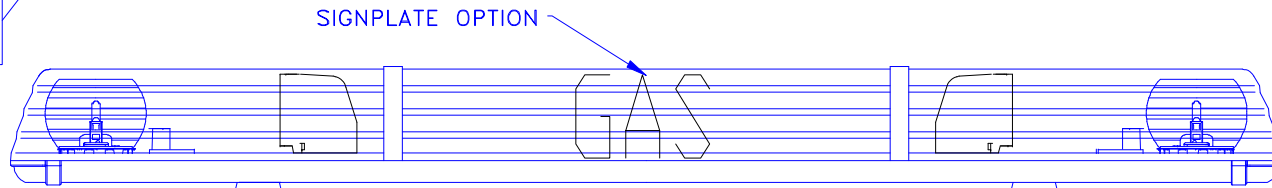


ISSUE	DESCRIPTION	DATE
A	REVISION BOX ADDED AS PER CR VA0032	04-12-03
B	UPDATED AS PER P3#08104	20-05-11
-	-	-
-	-	-
-	-	-
-	-	-



604.3A01.AAAA
H1 12V-55W

BATCH No



FIXING KIT LARGE (999.190)

- RED ROTATING MODULES
- GREEN SIGNPLATE
- BLACK COMMON EARTH



© VISION ALERT AUTOMOTIVE LIMITED
 Victoria Ind Park, Victoria Road, Seacroft Leeds LS14 2LA
 Telephone : 0845 1300155 Fax : 0845 1300255
 Email; Sales@visionalert.co.uk

PRODUCTION BUILD PLAN
 CHECKED.....C.T.... APPROVED.....R.W....

DRAWN R L WELDON
 DATE 18-11-99
 PART No. 604.3A01.AAAA
 VOLTAGE 12V