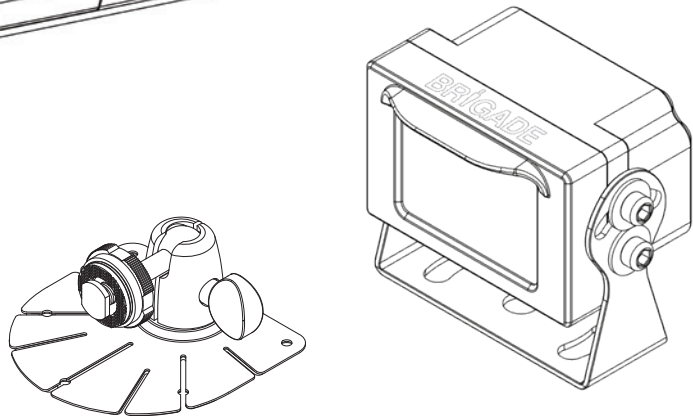
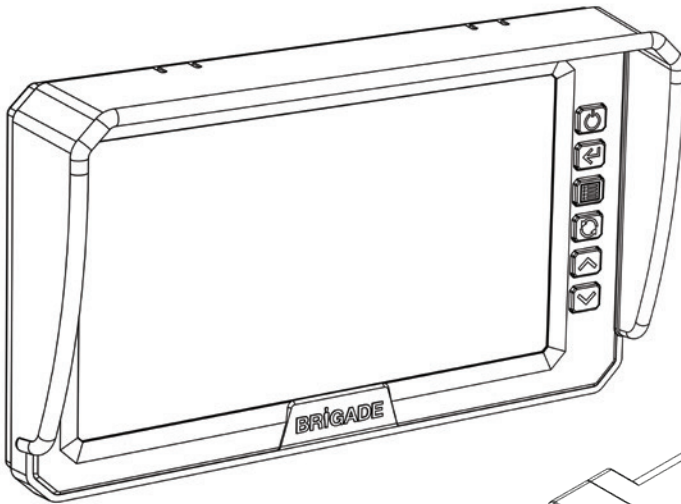


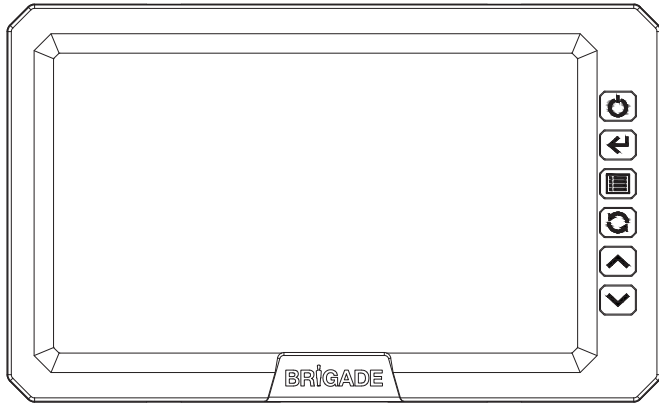
Brigade

VBV-6172-000 Essential CMS 7" LCD

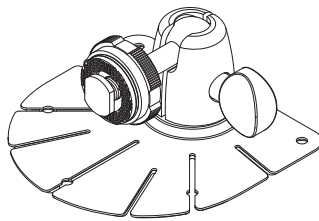
Quick installation guide



1 Contents

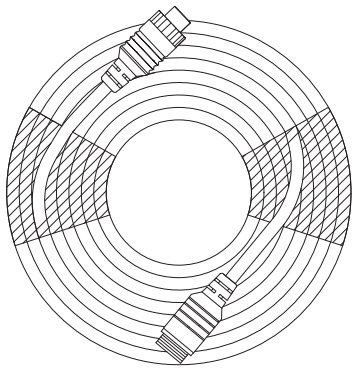


VBM-6170M

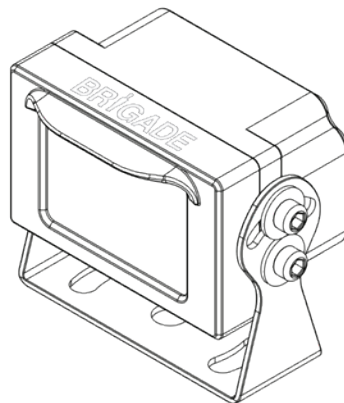


VBV-670M-BKT

VBV-L4120

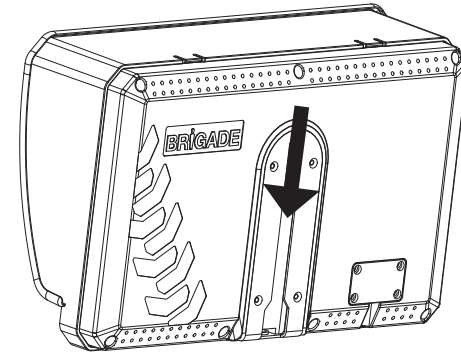


VBV-6132C

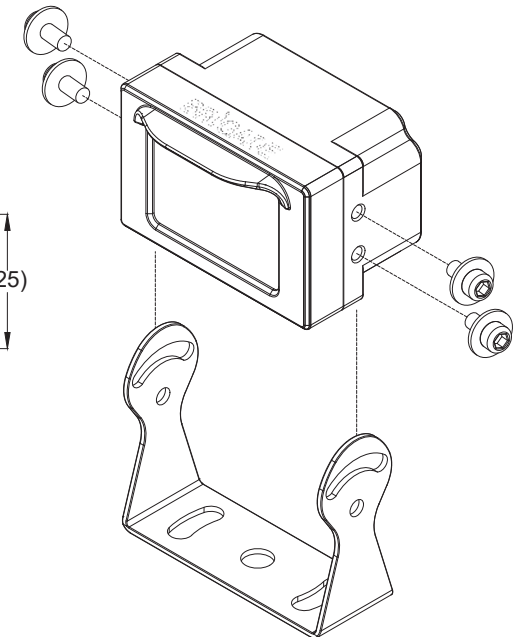
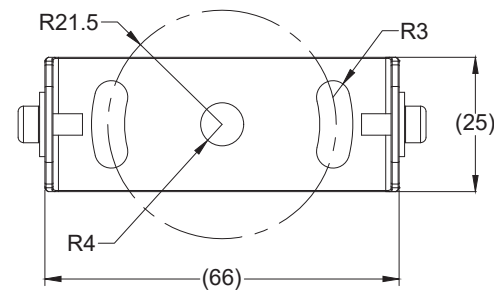


Fitting Kit:
VBV-613XC- FIX

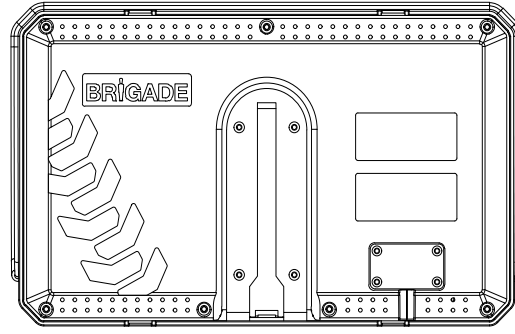
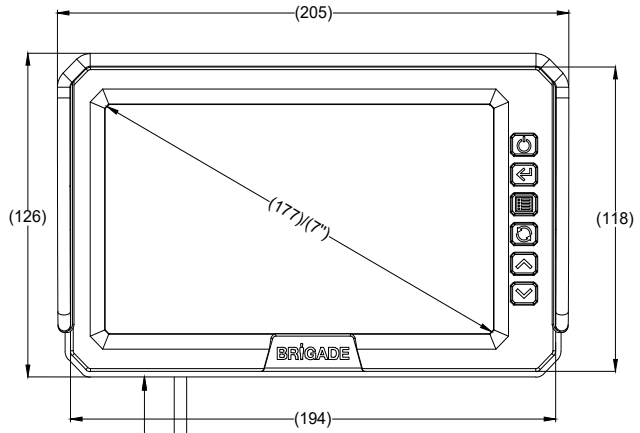
2 Monitor installation



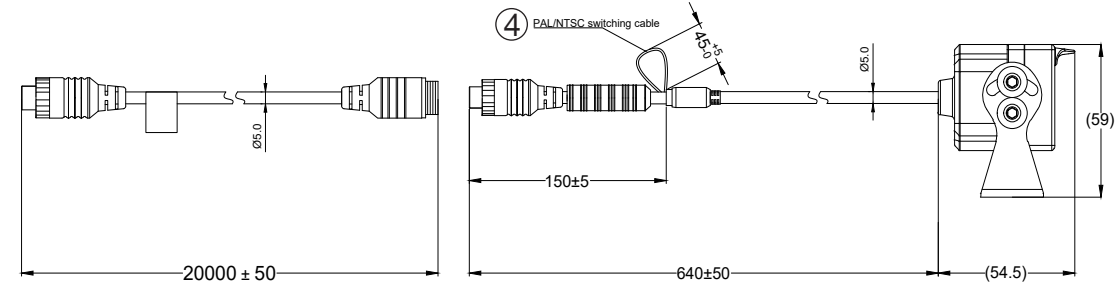
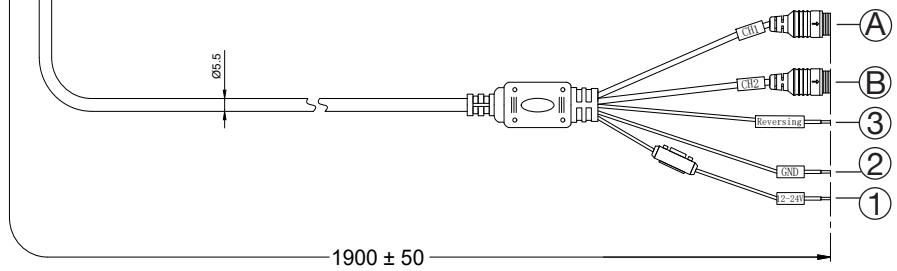
3 Camera installation



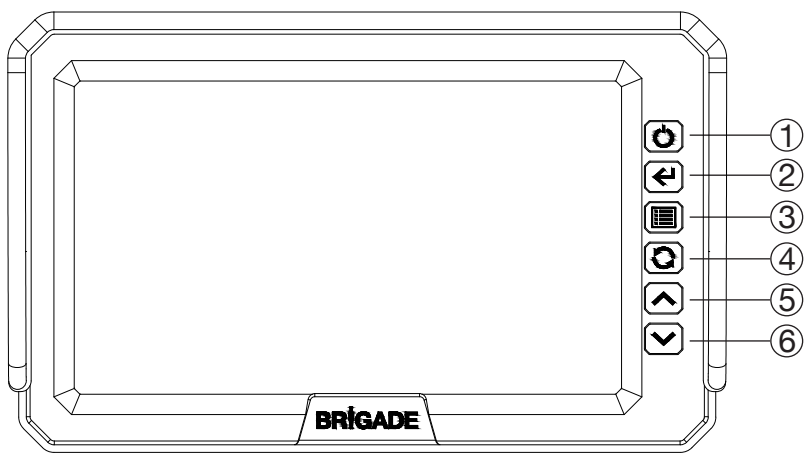
4 Connections



- Ⓐ CA1 Camera Input
- Ⓑ CA2 Camera Input
- ① Red Power Input
- ② Black Ground
- ③ Green Trigger Input
- ④ Camera default is PAL, if the cable is cut the camera will switch to NTSC. Reconnect the cable to switch back to PAL.



5 Monitor Controls

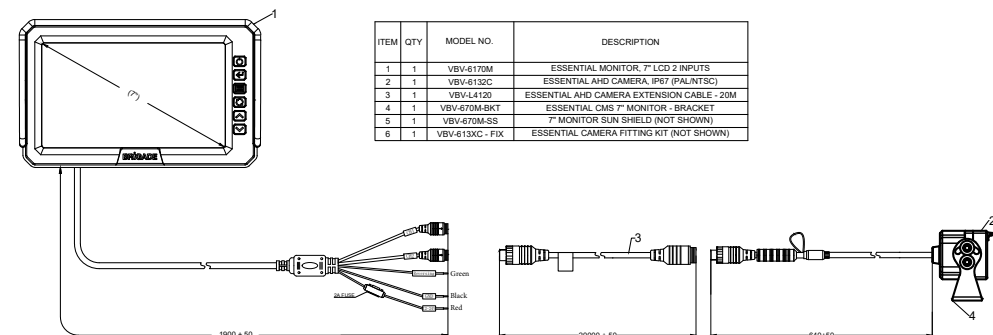


- ① Power
- ② Select
- ③ Menu
- ④ Turn
- ⑤ Up
- ⑥ Down

6 Menu options

Option	Function	Function declaration	Menu screenshots
Primary menu		Image effect, reversing function, image mode, system settings	
Image effect	Luminance	Brightness (adjustable range 0~100 factory setting default 50)	
	Contrast ratio	Contrast (adjustable range 0~100 factory setting default 50)	
	Saturation level	Saturation (adjustable range 0~100 factory setting default 50)	
	Tint	Hue (adjustable range 0~100 factory default 50)	
Reverse function	Reverse line	Reversing scale line switch: open the current screen display reversing scale line	
	Reverse delay	After the reversing line is triggered, the delayed recovery time is adjustable to 0~30 seconds adjustable	
Image mode	Mirror image	Cam 1 / cam 2, open for a mirror image	
System settings	Language	Simplified chinese / traditional chinese / english / japanese / korean / russian // 6 languages selected	
	Reset	Factory data reset	
	Rotate	Ud 0 / ud 180 / 0 / 180 (4 images full screen flip)	
	CDS	Automatic dimming function switch	

7 Specifications



*All measurements in mm, unless otherwise stated

Environmental Specifications

- Operating Temperature: -20° to +70°C
 - IP Rating: Camera Only IP69K
 - IP Rating: Monitor IP30
 - Vibration Resistance: 5.9G
- Approved Standards**
- CE - (EN 61000-6-2:2019 / EN 61000-6-3:2021 BS EN 55032:2015+A1:2020 / BS EN 55035:2017+A11:2020)
 - FCC - (47 CFR Part 15 Subpart B)
 - ICES-003 Class B Issue 7 October 2020

Technical Specifications

- Operating Voltage: 12-24Vdc
- Current Consumption: 350mA max. @ 12Vdc

Power Consumption:

- (Monitor): 4.2W max. @ 12Vdc
- (Camera): IR Off: 75mA(Max), IR ON: 215mA(Max)

TV System:

VBV-6132C PAL & NTSC (Switching cable) Panel
 Size: 7" TFT LCD Monitor
 Wide Screen Display: 16:9

Resolution:

- Monitor: 1024x600
- Camera: 1920x1080 - AHD 1080P

Monitor Video input:

AHD 1080P/720P/CVBS
 Contrast Ratio: 500:1
 Brightness: 400 cd/m²

Viewing Angle:

- Monitor: 85°(L), 85°(R), 85°(B), 85°(T)
- Camera: VBV-6132C:106°(H),56°(V),120°(D)

Number of Video Inputs:

2 x 4 Pin VBV Connectors

Number of Triggers In:

None

Mirror/Normal:

Mirror

IR: 0.1 LUX (IR LED ON)

IR: Distance: 8-10m

Weight:

- System: 1.588kg
- Monitor Only: 0.712kg
- Camera Only: 0.219kg
- Extension cable: 0.657kg

Video Input:

- 1.0Vp-p/75Ω (PAL/NTSC)

Length of Cables:

- Monitor: 1900 ± 50mm
- Camera : 640 ± 50mm
- Extension Cable: 20000 ± 50mm

Overall Dimensions:

- Monitor (Without Bracket): 194(W)x118(H)x24.5(D) (mm)
- Camera (With Bracket): 76(W)x59(H)x54.5(D) (mm)

Casing Material:

- Monitor: ABS
- Camera: ADC12 Aluminium Alloy

Colour/Finish:

- Black / Textured

Features

- Digital LCD Panel
- On Screen Display Menu (OSD)
- 7 x On Screen Display (OSD) Languages: (English, Dutch, French, Spanish, Italian, Portuguese and Chinese).

Pack Contents

- 1 x VBV-6170M Monitor & Sunshield
- 1 x VBV-6132C Camera & Bracket
- 1 x VBV-L4120 20m Extension Cable ***NOT AVAILABLE AS A SPARE PART**
- 1 x VBV-670M-BKT Monitor Bracket
- 1 x VBV-613XC- FIX Camera Fitting Kit

Brigade

www.brigade-electronics.com

Disclaimer

Camera monitor systems are an invaluable driver aid but do not exempt the driver from taking every normal precaution when conducting a manoeuvre. No liability arising out of the use or failure of the product can in any way be attached to Brigade or to the distributor.

Specifications subject to change.