

**NEW**

# PHANTOM

## DYNAMIC START UP

POSITION LIGHT IN AMBER AND CLEAR

PART NO.: 1001-2670

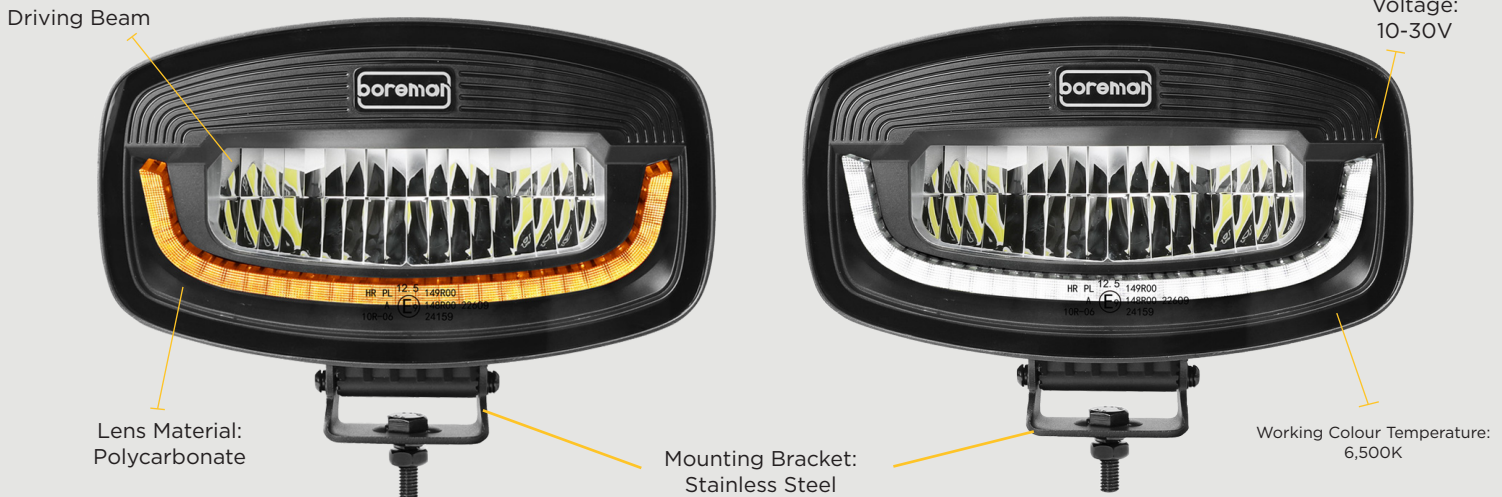


www.boremanltd.com



### Product Features:

- **DYNAMIC START UP**
- Position Light in Amber and Clear
- LED Quantity - Driving Beam - 2pcs - 60W - Clear
- LED Quantity - Position Light - Amber - 30pcs - 1.7W
- LED Quantity - Position Light - Clear - 30pcs - 1.7W
- Voltage: 10-30V
- Lumens: 4,500lm
- Current Draw: 5amps@12V & 2.47amps@24V
- LUX Rate: 1 LUX @218m | 0.25 LUX @440m
- Housing Material: Die Cast Aluminium
- Mounting Bracket: Stainless Steel
- Working Range Temperature: -40°C ~+60°C
- Working Colour Temperature: 6,500K
- Lens Material: Polycarbonate
- ECE R10/R148/R149
- RoHS Compliant
- IP Rating: IP69K
- Connector Method: Deutsch Connector
- Weight: 1.4kg
- Life Span: 30,000+ Hours
- 3 Year Warranty



### Information:



Part No.:	Description:	Position Light:	Start Up:	Voltage:	Lumens:	Weight:
1001-2670	PHANTOM	Amber & Clear	<b>DYNAMIC START UP</b>	10-30V	2,600lm	1.4kg

*"Quality and style for every mile"*

Available from your nearest dealer

www.boremanltd.com | info@boremanltd.com | Tel: +353 49 4367049



**NEW**

# PHANTOM

## DYNAMIC START UP

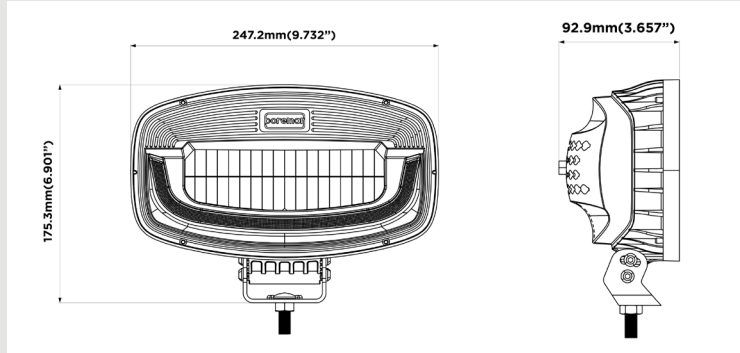
POSITION LIGHT IN AMBER AND CLEAR

PART NO.: 1001-2670

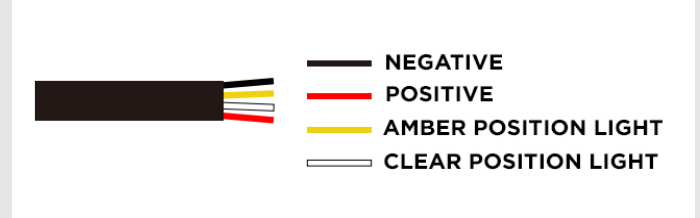


www.boremanltd.com

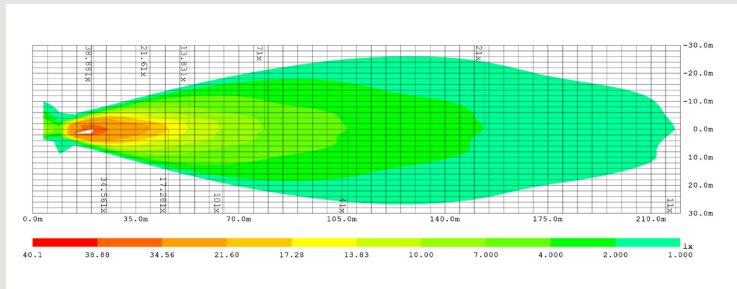
### Dimensions:



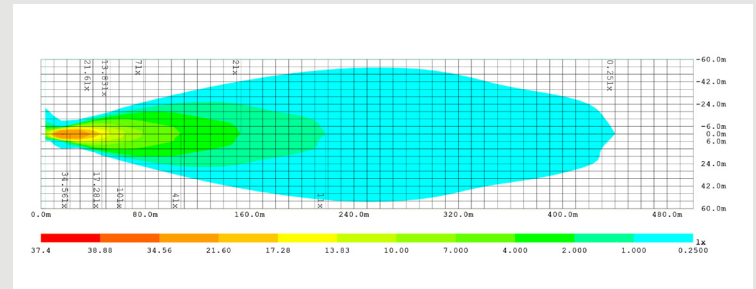
### Wiring Protocol:



### Beam Pattern:

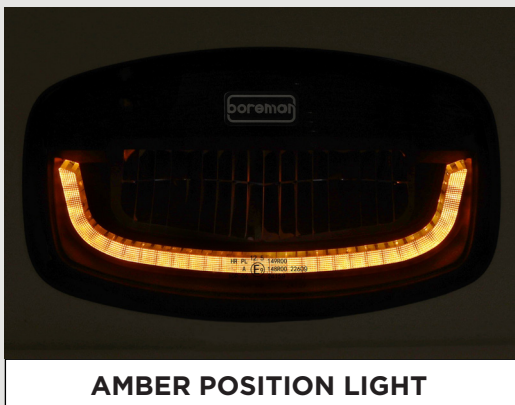


1 LUX@218m



0.25 LUX@440m

### Side and Back View:



AMBER POSITION LIGHT



CLEAR POSITION LIGHT