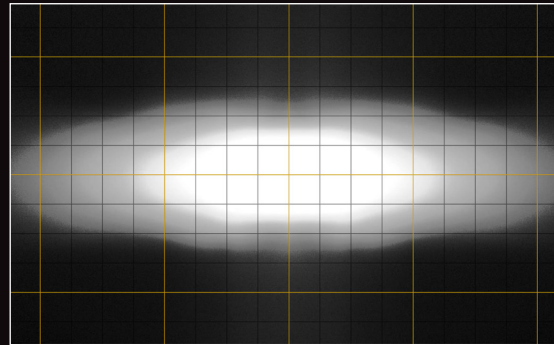


SENTINEL 9" ELITE - GEN2



The Sentinel range are 9" round lamps that combine distinctive high-end product design, with superior lighting performance and build quality symbolic of the Lazer Lamps name. The Sentinel Elite (Gen2) product comes available with a sleek black internal appearance, and a combination of 32 high power LEDs, representing the very best lighting performance as expected from a product bearing the 'Elite' tag. The appeal of the lamps is enhanced courtesy of an updated position light / backlight feature for 2025, and a version with integrated Beacon function. Additional functions bring the possibility to activate a dynamic welcome mode and easily switch between high and low output modes with dynamic dip. There is a choice of lamp finish in satin black or gloss white, to ensure your Sentinel Highline LED lights match seamlessly to your vehicle.

BEAM DISTRIBUTION (HORIZONTAL: 52° / VERTICAL: 14°)



BEAM PATTERN (BOOST MODE)





KEY FEATURES

- Combination of 32 premium 'bin' LEDs.
- Black PCB and bezel detail result in stealth black internal appearance.
- 5000K LED colour temperature and 80CRI maximises sharpness and definition.
- Ultra-reflective vacuum-metallised spot and wide optics.
- Integrated white (UNECE Reg 148 approved) or amber position light function.
- Flash-to-dim functionality for avoiding glare from road signs (for example) – High and Low output modes.
- ECE Reg 149 approved for on-road high beam (Low output mode only).
- Dynamic start-up / Welcome Mode – two options activated as/if required.
- Contemporary lamp design.
- Supplied with 'slim' diecast aluminium mounting bracket featuring Sentinel stamp.
- Electronic thermal management system optimises light output to preserve longevity of the LEDs.
- Anodised pre-treatment and automotive grade powder top-coat for ultimate corrosion and chemical protection
- CAE optimised heatsink offers improved thermal dynamics
- Over voltage protected
- Reverse polarity protected
- 'Unbreakable' polycarbonate lens with hardcoat lacquer
- A2 stainless steel fasteners with automotive grade black coating
- Supplied with Lazer branded black lens cover
- Supplied with pre-wired male/female 3-pin Superseal connectors
- Designed & manufactured in UK

CERTIFICATION

SCAN THE QR CODE TO DOWNLOAD THE ECE CERTIFICATES.

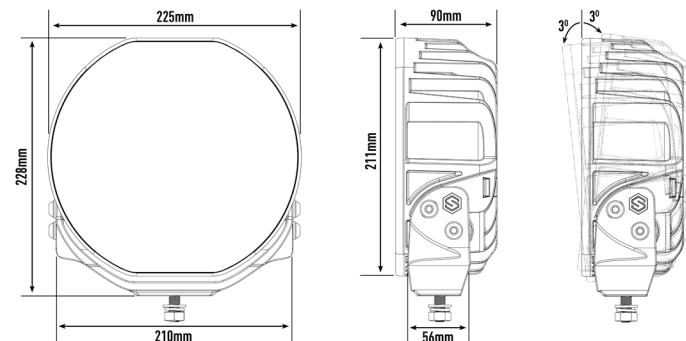


HIGH BEAM (LOW OUTPUT ONLY)	ECE REG 112 (REF 20)
POSITION LIGHT (WHITE ONLY)	ECE REG 148
EMC CERTIFICATION	ECE REG 10
IP RATING	IP68

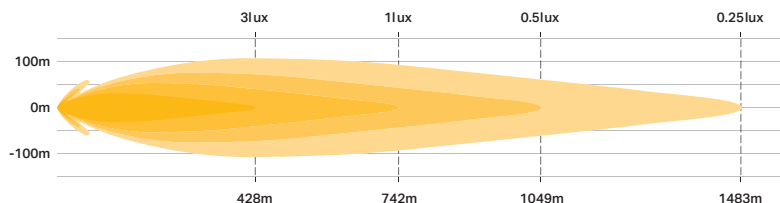
SPECIFICATIONS | BOOST MODE

WEIGHT	2.5 KG
VOLTAGE RANGE	10V-32V
RAW LUMENS	15,232
TOTAL DRIVER 'FOV' FLUX	9,048
COLOUR TEMPERATURE	5000K
POWER CONSUMPTION	145 WATTS
PEAK CURRENT DRAW	15.1 AMPS
CURRENT DRAW (14.4V)	10.1 AMPS
CONNECTOR	3-PIN SUPERSEAL (+25CM CABLE)

DIMENSIONS



PHOTOMETRICS



LOW OUTPUT / E-MARK MODE

