

POD

LED POD WORK LAMP WITH RED & AMBER POSITION LIGHT

PART NO.: 1001-1570



www.boremanltd.com

Red
Position Light



Amber
Position Light



Product Features:

- Work Lamp - with Red and Amber Position Light
- Driving Beam and Position Light for multi-function use
- LED Quantity - 12pcs - Driving Beam - 24W - White
- LED Quantity - 12pcs - Position Light - 0.5W - Red & Amber
- Beam Pattern: Flood
- Voltage: 10-30V
- Lumens: 1,000lm
- Current Draw: 2.04amps@12V & 0.94amps@24V
- Housing Material: Die Cast Aluminium
- Mounting Bracket: Stainless Steel
- LUX Rate: 65M
- Working Range Temperature: -40°C ~+60°C
- Colour Temperature: 6,500K
- Lens Material: Polycarbonate
- UV Resistant and Scratch Resistant
- Connection Method: Cable
- ECE R10
- RoHS Compliant
- IP Rating: IP69K
- Weight: 0.33kg
- Life Span: 30,000+ Hours
- 3 Year Warranty

Lens Material:
Polycarbonate



Weight:
0.33kg

Mounting Bracket:
Stainless Steel



Housing Material:
Die Cast Aluminium

Information:



Part No.:	Description:	Beam Pattern:	Supply:	IP Rating:	Life Span:
1001-1570	POD LED POD Work Lamp	Flood	10-30V	IP69K	30,000 + Hours



Available from your nearest dealer

www.boremanltd.com | info@boremanltd.com | Tel: +353 49 4367049

POD

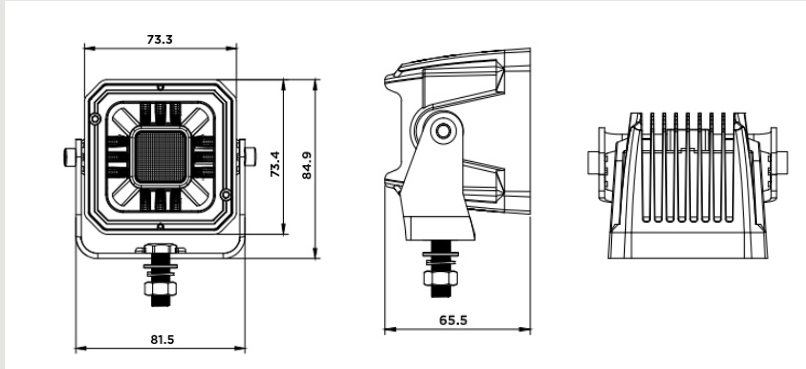
LED POD WORK LAMP WITH RED & AMBER POSITION LIGHT

PART NO.: 1001-1570

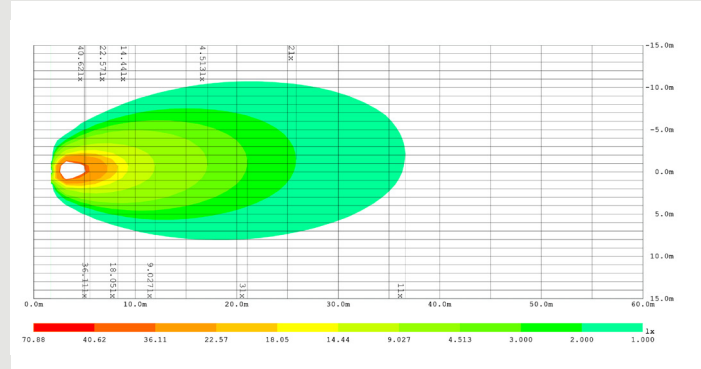


www.boremanltd.com

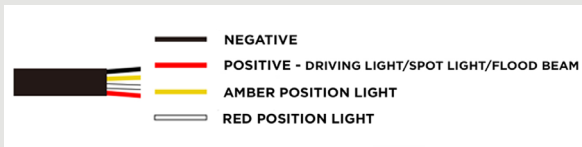
Dimensions:



Beam Pattern:



Wiring Protocol:



Wiring Instructions:

The Red Position Light (White Wire) **must not be connected** to the Black Negative Wire, while the Amber Position Light is illuminate/connected.

This lamp **does not carry** 'Reverse Polarity Protection' to do so it **will remove** the Red Position Light function.

Connect White Wire (Red Position Light) and Amber Wire (Amber Position Light) to 'Red Positive Wire' to activate the Amber Position Light.

The Amber Position Light **takes priority** over the Red Position Light

The Black Wire (Negative) **can be connected** to the Red Wire (Positive)

It won't work, but it won't cause any damage to the light.

Connect White Wire (Red Position Light) and the Black Wire (Negative) to activate the Red Position Light.



Red Position Light



Amber Position Light