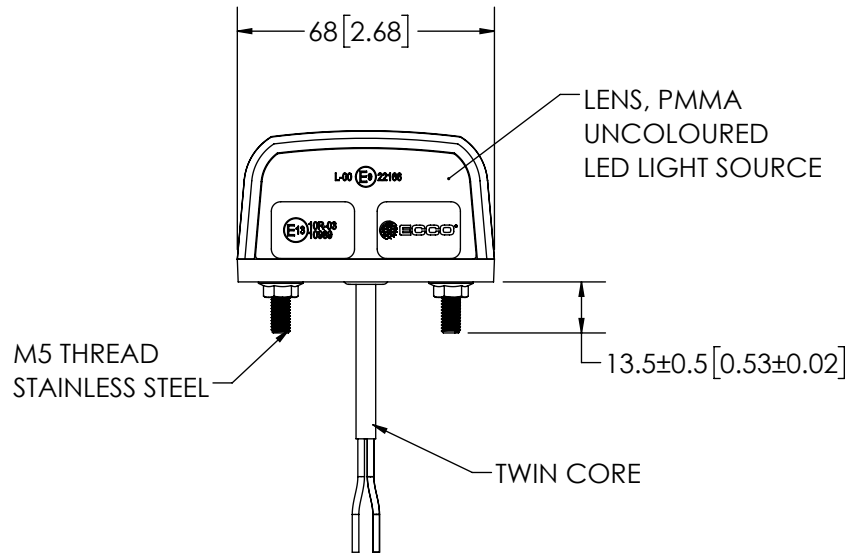
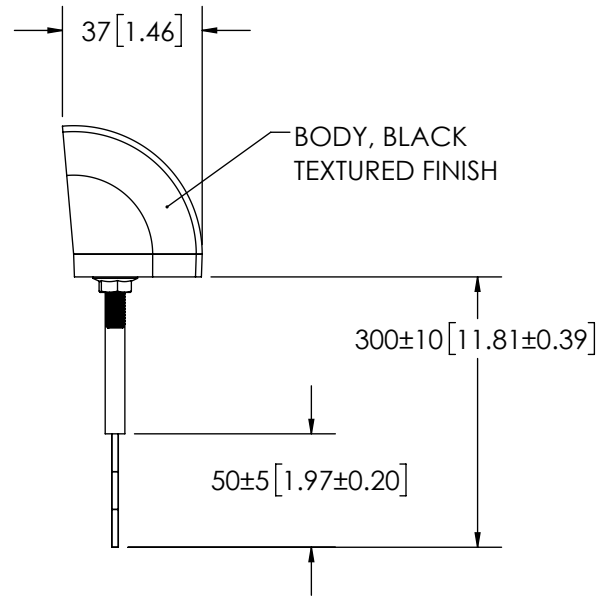


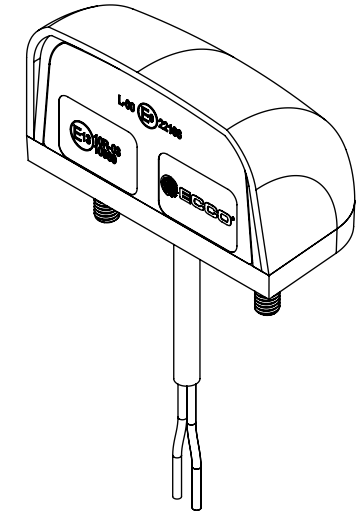
REVISION HISTORY		
REV.	DESCRIPTION	DATE
01	PRELIMINARY RELEASE PER LC3189	2021-07-14
A	INITIAL RELEASE PER LC3189	2021-07-28



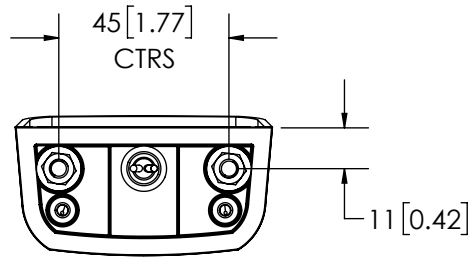
FRONT VIEW



SIDE VIEW



ISOMETRIC VIEW



BOTTOM VIEW

SPECIFICATIONS

1. ENVIRONMENTAL PERFORMANCE : LAMP COMPLIES WITH ECCO SPEC ENS032.
2. OPERATING VOLTAGE 10-32 VDC
3. OPERATING CURRENT 63mA @ 12V
4. LAMP COMPLIES WITH REGULATION ECE R10.03 (EMC).
5. LAMP COMPLIES WITH REGULATION ECE REG 4.00 (ILLUMINATION OF REAR REGISTRATION PLATES) WHEN POSITIONED IN ACCORDANCE WITH ECCO ENS130 SHEETS 1-4.

NOTES:
1. DIMENSIONS IN MILLIMETERS [INCHES (FOR REFERENCE)]

SCALE 1:2		APPROVALS	DATE
CAD GENERATED DRAWING DO NOT MANUALLY UPDATE. MODEL REFERENCED: A		DRAWN BY JW	2021-07-14
TOLERANCES ARE IN INCHES, AND MILLIMETERS TOLERANCES UNLESS OTHERWISE STATED ARE:		CHECKED PC	2021-07-16
MILLIMETERS DECIMALS XX. ± 1.0mm XX.X ± 0.5mm	INCHES DECIMALS X.X ± 0.1 X.XX ± 0.04 X.XXX ± 0.02	MECH. ENG.	
	ANGLES ± 0.5°	ELEC. ENG.	
	FRACTIONS ± 1/64	TEST ENG.	
		SALES.	
THIRD ANGLE PROJECTION			
Electronically Controlled Use Latest Copy		ECCO ® www.eccolink.com Americas (800) 635-5900 Europe +44 (0)113 237 5340 Asia Pacific +61 (0)3 63322444 LAMP REGISTRATION PLATE REAR LED ECCO CUSTOMER PART NO. _____ PRODUCT SERIES: L868 SIZE: A4 DWG. NO. L868.00.LDV REV. A SHEET 1 OF 1 Project: LL0236 Date Created: 2019-11-27	

PROPRIETARY AND CONFIDENTIAL INFORMATION
THIS DRAWING AND THE DESIGN AND OTHER INFORMATION DISCLOSED HEREIN ARE THE PROPERTY OF ELECTRONIC CONTROLS COMPANY AND/OR ITS ECCO SAFETY GROUP AFFILIATES ("ECCO") AND IS ISSUED IN CONFIDENCE TO RECIPIENT FOR ENGINEERING INFORMATION PURPOSES ONLY. THIS DRAWING AND THE DESIGN AND OTHER INFORMATION DISCLOSED HEREIN MAY NOT BE USED, COPIED, REPRODUCED OR OTHERWISE DISCLOSED IN PART OR IN WHOLE TO THIRD PARTIES OR USED FOR ANY OTHER PURPOSE WITHOUT PRIOR ECCO WRITTEN CONSENT. ECCO RESERVES ALL PATENT, COPYRIGHT, TRADEMARK, AND OTHER PROPRIETARY RIGHTS TO THIS DOCUMENT, INCLUDING ALL DESIGN, MANUFACTURING, REPRODUCTION, USE AND SALES RIGHTS THEREOF. THIS DRAWING IS SUBJECT TO RECALL BY ECCO AT ANY TIME, AND YOUR POSSESSION AND/OR USE CONSTITUTES ACCEPTANCE OF THESE TERMS. ©2019 ELECTRONIC CONTROLS COMPANY