

SENTRY

WORK LAMP WITH RED AND AMBER POSITION LIGHT

PART NO.: 1001-1580



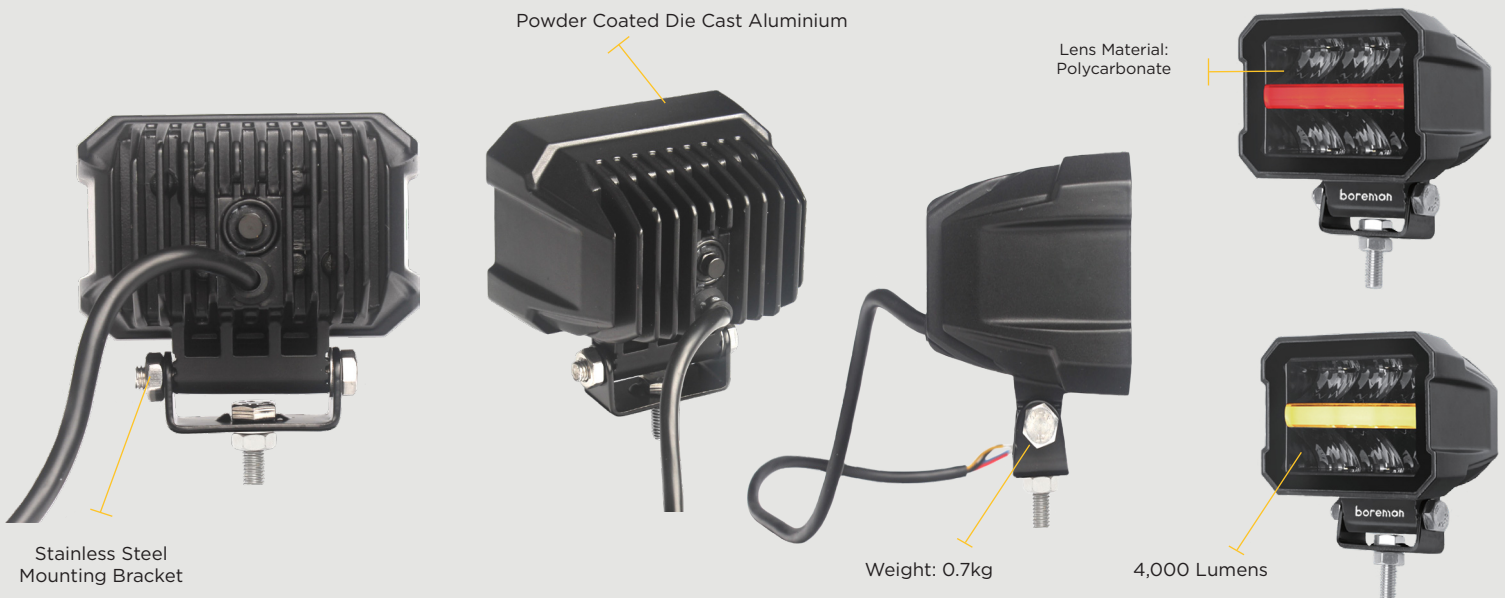
www.boremanltd.com



Product Features:

- Work Lamp - with Red and Amber Position Light
- Driving Beam and Position Light for multi-function use
- LED Quantity - 6pcs - Driving Beam - 25W
- LED Quantity - 6pcs - Position Light - 2.97W
- Voltage: 10-30V
- Lumens: 4,000lm
- Current Draw: 2.01amps@12V & 0.98amps@24V
- Flood Beam - Red/ Position Light - Amber
- Housing Material: Die Cast Aluminium
- Mounting Bracket: Stainless Steel
- Working Temperature Range: -40°C ~ +50°C
- Lens Material: Polycarbonate
- UV Resistant and Scratch Resistant
- ECE R10/R112/R7
- RoHS Compliant
- IP Rating: 67
- Weight: 0.7kg
- Life Span: 30,000 Hours
- 3 Year Warranty

For use on the Rear or Side of Vehicles - Choose Amber or Red Light Bar (Tricolour)



Information:



Part No.:	Description:	Position Light:	Supply:	Lumens:	Life Span:
1001-1580	SENTRY Work Lamp	Red and Amber	10-30V	4,000	30,000



Available from your nearest dealer

www.boremanltd.com | info@boremanltd.com | Tel: +353 49 4367049

SENTRY

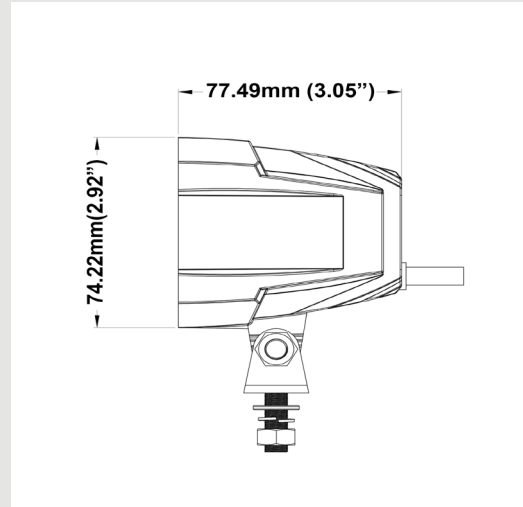
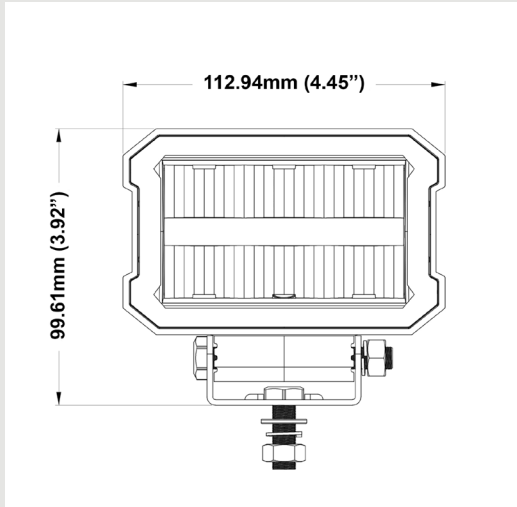
WORK LAMP WITH RED AND AMBER POSITION LIGHT

PART NO.: 1001-1580

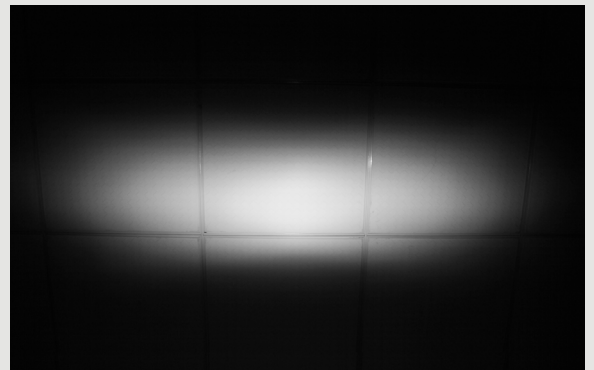
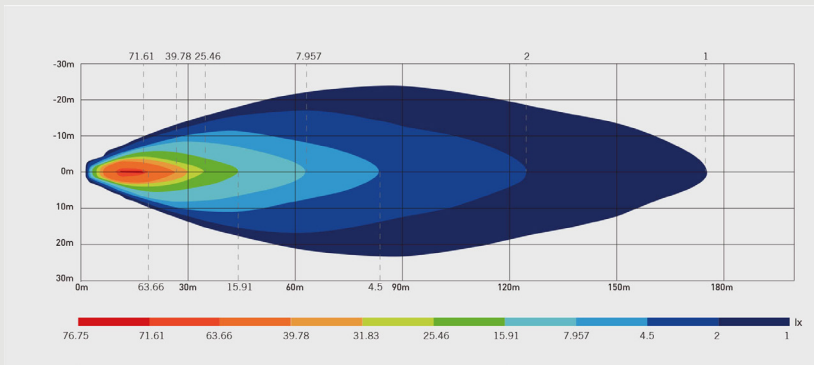


www.boremanltd.com

Dimensions:



Beam Pattern:



Wiring Protocol:

