

SIDE SHOOTER LED WORK LAMP

PART NO.: 1001-1560



www.boremanltd.com



Lens Material:
Polycarbonate



180
Degree Beam

Product Features:

- 3 x Directional LED Work Lamp
- LED Type: CREE
- Front LED quantity: 6pcs of 5W CREE
- Side LED quantity: 6pcs of 3W CREE
- LED Power: 48W
- Voltage Supply: 9V-32V
- Housing: Powder Coated Die Cast Aluminium
- Lens Material: Polycarbonate
- Lumens: 4500lm
- Colour Temperature: 6000K
- Beam Pattern: 180 Degree Flood
- IP Rating: 68K
- ECE R10
- RoHS Compliant
- Current Draw: 2.67amps@12V & 1.33amps@24V
- Weight: 0.7kg
- 2 Year Warranty



Front LED quantity: 6pcs of 5W CREE



Side LED quantity: 6pcs of 3W CREE



180 Degree Flood Beam



Information:



Part No.:	Description:	Beam Pattern:	Supply:	Lens Material:	Lumens:
1001-1560	Side Shooter LED Work Lamp	180 Degree Flood	9-32 Voltage	Polycarbonate	4500



Available from your nearest dealer

www.boremanltd.com | info@boremanltd.com | Tel: +353 49 4367049

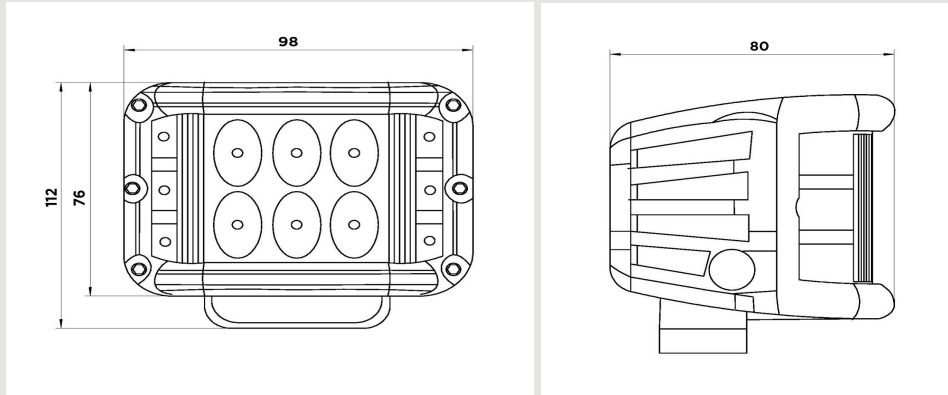
SIDE SHOOTER LED WORK LAMP

PART NO.: 1001-1560

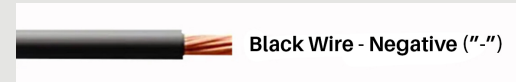
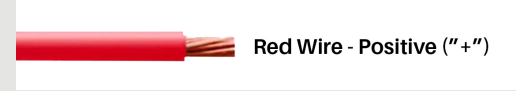


www.boremanltd.com

Dimensions:



Wiring Protocol:



Beam Pattern:

