

WHITE LIGHTING



CW2601 SERIES

40° Down Angle

The CW2601 Series 40° down angled worklight offers the latest technology and the very brightest white light for your application. This LED model offers over 80,000 hours of maintenance-free life expectancy coupled with low amp draw. High-intensity light output and ECE approval makes this LED worklight the ideal choice for a wide variety of applications. Additional features include 12-24 VDC operation, shock-resistant mounting, IP67 waterproof breather and a 5-year warranty.

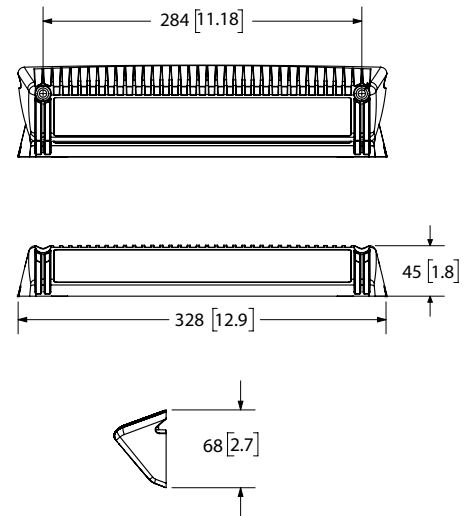
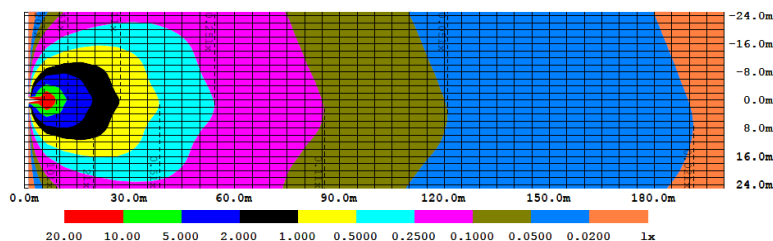
Models

PART NO.	HOUSING COLOR	TYPE	RAW LUMENS	VDC	AMPS
CW2601-B-E	Black	Flood	2250	12-24	2.0
CW2601-W-E	White	Flood	2250	12-24	2.0

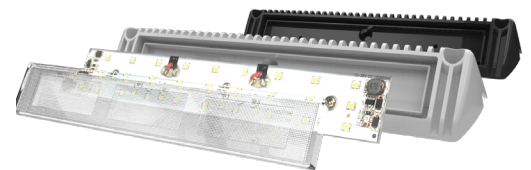
Features and Benefits

- Great worklamp for side panels, rear bay doors, exterior workstations and tow beds
- Aluminum heatsink housing
- 40° down angle can be mounted in a variety of locations
- Polycarbonate lens
- M6 mounting kit provided

Beam Pattern



Component View



+44 (0)113 237 5340 | sales@esg.global